

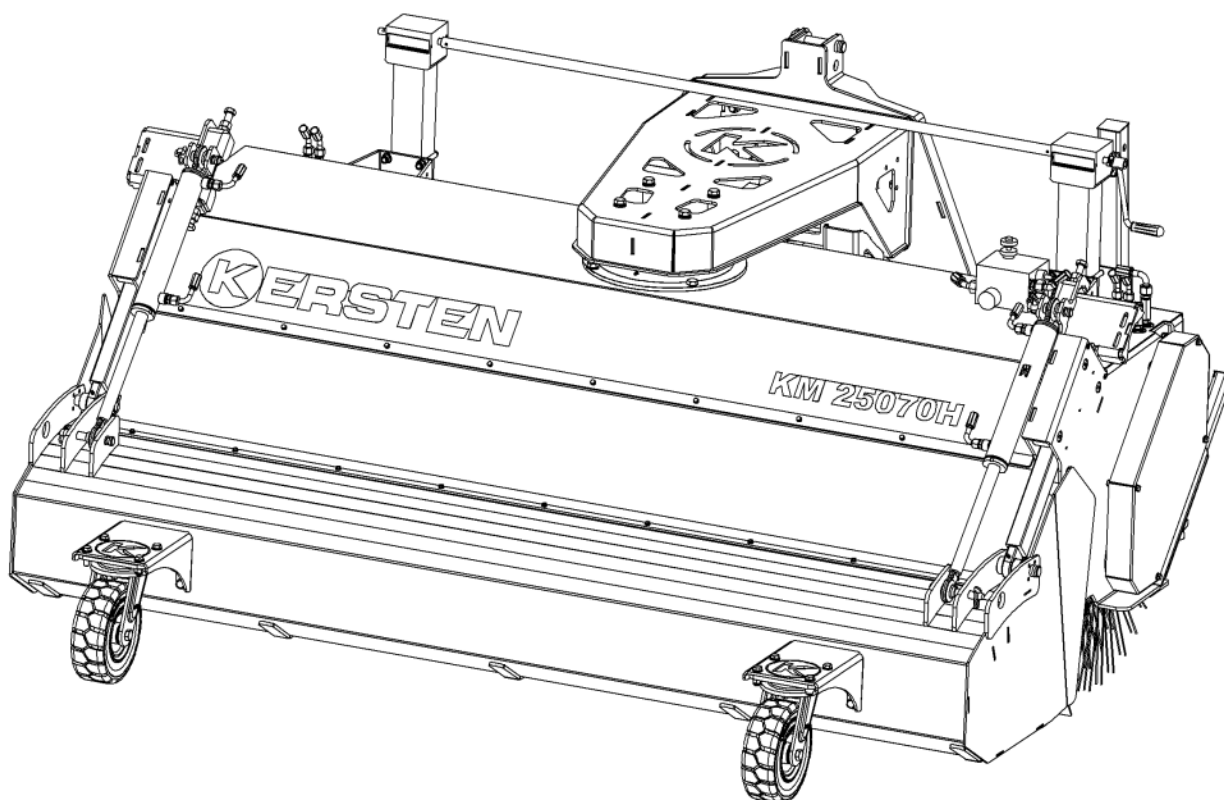


Spare parts lists

KM 70

Professional sweeper

KM 25070 H; KM 27070 H KM 30070 H



Order number: E00082

from machine number: 61523

Rev.: R01

Status: 14.05.2018



Manufactured by
Kersten Arealmaschinen GmbH
Empeler Strasse 95
D - 46459
Reeswww.kerstenmaschinen.de

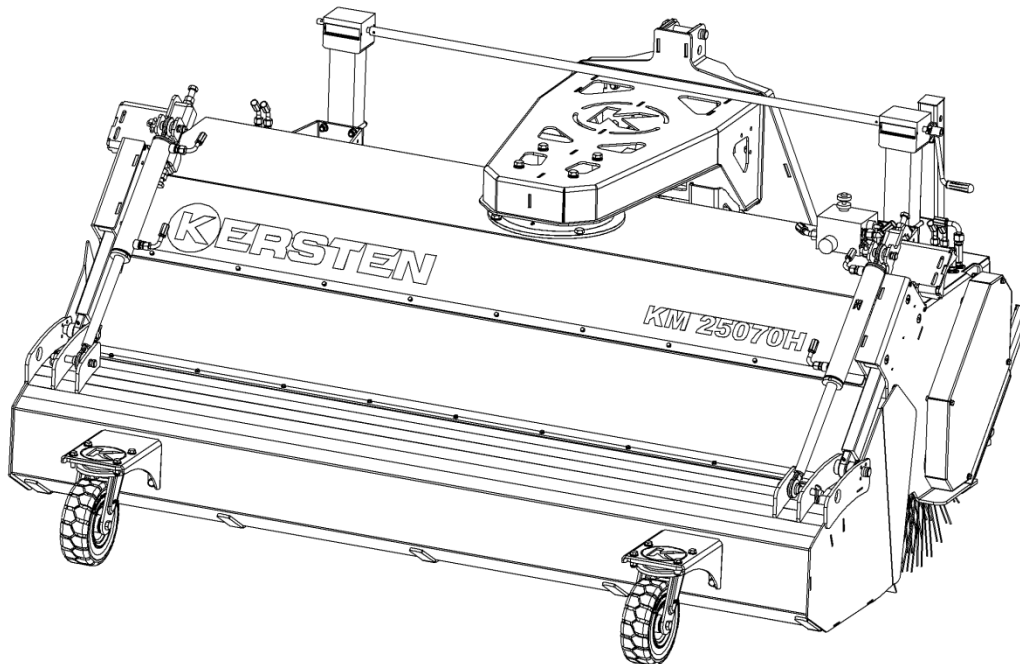


Distributed in UK by
Kersten (UK) Ltd Tel. 0118 986 9253
Progres House 39 Boulton Road
Reading, RG2 0NH
www.kerstenuk.com

Table of contents

1	MODEL OVERVIEW.....	4
1.1	KM 25070 H - C05580 R01.....	4
1.2	KM 27070 H - C05581 R01.....	4
1.3	KM 30070 H - C05582 R01.....	4
2	ASSEMBLY GROUPS OVERVIEW	5
2.1	GRUNDGER T.....	5
2.1.1	KM 25070 H - C05583 R01	6
2.1.2	KM 27070 H - C05584 R01	7
2.1.3	KM 30070 H - C05585 R01	8
2.2	ADRIVE UNITC05788 R00.....	9
2.3	KEHRWALZE U.-KORBZCOMPOSITION.....	11
2.3.1	Sweeping roller KM 25070 - C05596 R00	11
2.3.2	Sweeping roller KM 27070 - C05634 R00	11
2.3.3	Sweeping roller KM 30070 - C05635 R00	11
2.4	MASCHINENTR GER C05641 R01.....	12
2.5	ABR 70 FRONTI C05589 R00	13
2.6	ABR 70 TELE - C05394 R00.....	14
3	ACCESSORIES FOR SWEEPER	15
3.1	SDIRT COLLECTION CONTAINER WITH HYDRAULICBEH LTER EMPTYING.....	15
3.1.1	SSB 25070 - C05591 R00	16
3.1.2	SSB 27070 - C0 R00	17
3.1.3	SSB 30070 - C0 R00	18
3.2	SSPLASH GUARD.....	19
3.2.1	SPL 25070 - Splash guard 250 cm working width- C0 R00	19
3.2.2	SPL 27070 - Splash guard 270 cm working width - C0 R00	19
3.2.3	SPL 30070 - Splash guard 250 cm working width - C0 R00	19
3.3	HSZ-450 HYDRAULICSSWIVEL DEVICE- C05643 R00	20
3.4	ASH 7070 R - ANBA SIDEBBOARD,RIGHT70CMBESENĚ - C05594 R00.....	21
3.5	ASH 7070 L - ANBA SIDEBBOARD,LEFT70CMBESENĚ - C05593 R00.....	23
3.5.1	ASH 7070, right 70 cm broom Ě, hydraulic connections - C05662 R00.....	25
3.5.2	ASH 7070, left 70 cm broom Ě, hydraulic connections - C05663 R00.....	26
3.6	ZCOMPOSITIONAKL.....	27
3.6.1	AKL KM 25070 - C05883 R00	28
3.6.2	AKL KM 27070 - C06124 R00	29
3.6.3	AKL KM 30070 - C06205 R00	30
3.7	AUFKRATZELEMENTZCOMPOSITION- C05887 R00.....	31
3.8	ZCOMPOSITIONDBACK BARDL-WAS / HOCHDRUCKBARHDL-WAS.....	32
3.8.1	DL-WAS-KM 25070 - C05805 R00.....	33
3.8.2	DL-WAS-KM 27070 - C05965 R00.....	33
3.8.3	DL-WAS-KM 30070 - C06299 R00.....	33
3.8.4	HDL-WAS-KM 25070 - C06322 R00	34
3.8.5	HDL-WAS-KM 27070 - C06130 R00	34
3.8.6	HDL-WAS-KM 30070 - C0302 R00	34
5	SWEEPING ROLLERS 70 CM ROLLER DIAMETER	35

1 Model Overview



1.1 KM 25070 H -C05580 R01

No.	Art.-No.	No.	designation
1	C05583 R01	1	basic unit KM 25070 H
2	C05788 R00	1	drive unit
3	C05596 R00	1	sweeping roller complete

1.2 KM 27070 H -C05581 R01

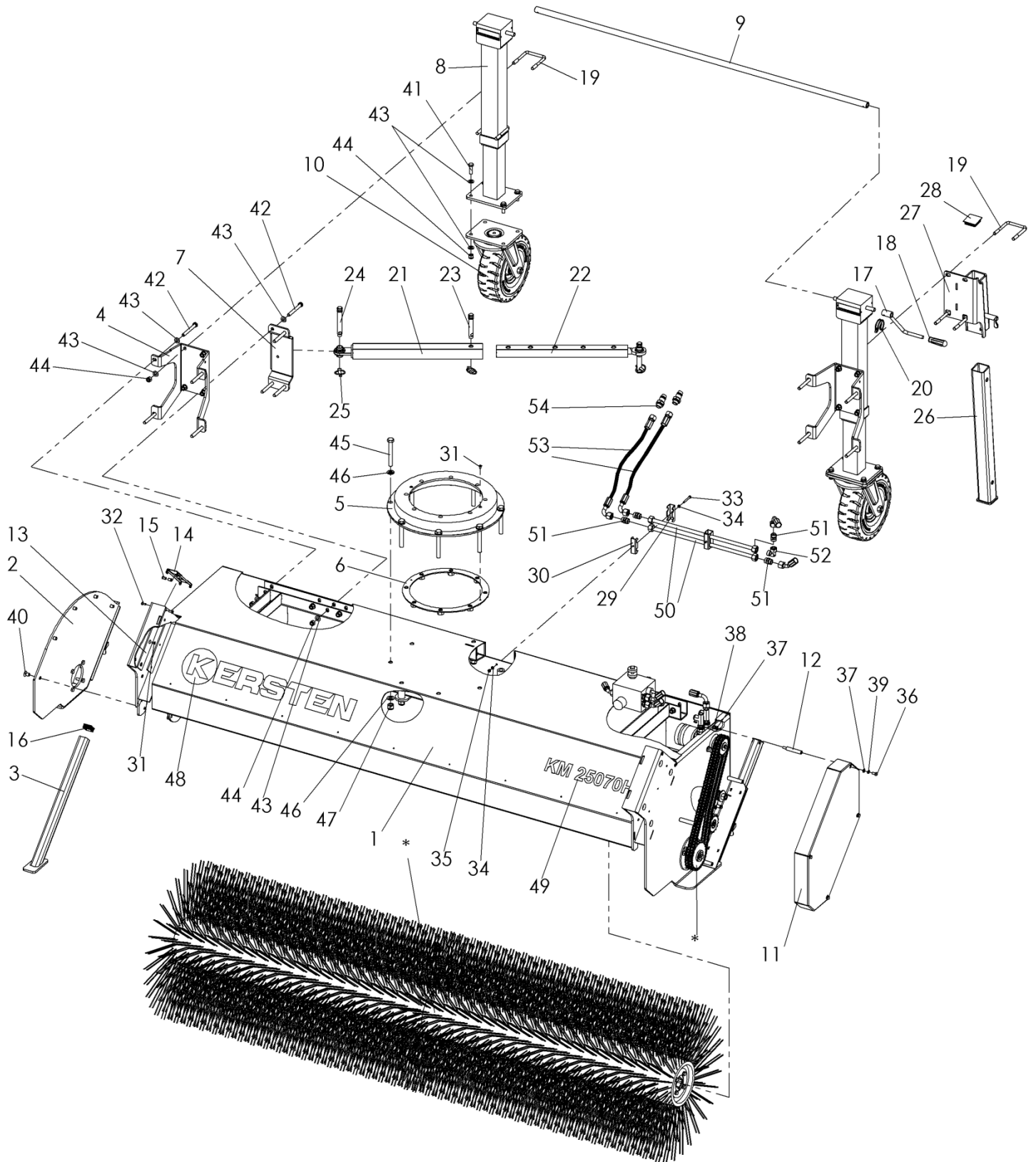
No.	Art.-No.	No.	designation
1	C05584 R01	1	basic unit KM 27070 H
2	C05788 R00	1	drive unit
3	C05634 R00	1	sweeping roller complete

1.3 KM 30070 H -C05582 R01

No.	Art.-No.	No.	designation
1	C05585 R01	1	basic unit KM 30070 H
2	C05788 R00	1	drive unit
3	C05635 R00	1	sweeping roller complete

2 Assembly overview

2.1 Basic device



*see model view

2.1.1KM 25070 H - C05583 R01

No.	Art.-No.	No.	designation
1	C04016 R01	1	basic housing KM 25070
2	C04578	1	Lower part of the complete housing. right R01
3	C04175	2	parking support complete
4	C04010	2	parallel supports
5	C07278	1	ball bearing slewing ring
6	C07275	1	mother wreath complete
7	C04174	1	swivel cylinder mount complete
8	050 427 013	1 set	wheel support
9	C04628	1	cross tube
10	900 839 215	2	heavy-duty swivel castors
11	C04163	1	chain guard cover
12	C02584	4	spacer sleeve
13	C04425	4	plastic strips
14	C04421	2	mudguard guide system
15	900 008 006	8	pull-in nut
16	943 140 402	2	protective cap
17	C10841	1	hand crank
18	942 001 012	1	handle
19	901 512 380	4	U-bolt
20	907 190 550	1	pipe linchpin
21	C05632	1	outer tube complete
22	C05633	1	inner tube complete
23	907 400 073	1	upper link pin
24	907 400 074	2	upper link pin
25	907,111,000	3	linch pin
26	C06076	1	complete pipe for parking support
27	C06073	1	holder complete
28	943 160 604	1	protective cap
29	C03290	2	cable holder upper part
30	C03291	2	cable holder lower part
31	901 206 012	14	countersunk screw with hexagon socket
32	903 906 016	8	Lens head screw with hexagon socket
33	901 006 050	2	hexagon screw without shaft
34	905,106,000	4	U-disk
35	900 006 002	2	lock nut
36	901 008 016	4	hexagon screw without shaft
37	905,108,000	8	U-disk
38	900 008 002	4	lock nut
39	905 008 000	4	spring ring
40	901 212 020	5	countersunk screw with hexagon socket
41	901 012 040	8	hexagon screw without shaft
42	901 112 100	12	hexagon screw with shaft
43	905,112,000	48	U-disk
44	900 012 002	28	lock nut
45	901 116 120	7	hexagon screw with shaft
46	905,116,000	14	U-disk
47	900 016 002	7	lock nut
48	950 900 160	1	sticker Kersten
49	950 250 700	1	sticker KM 25070
50	C05347	2	hydraulic line
51	931 091 500	4	hydraulic screw connection
52	931 061 500	1	hydraulic screw connection
53	930...	2	hydraulic hose depending on the tractor
54	932...	2	hydraulic connector; tractor-dependent

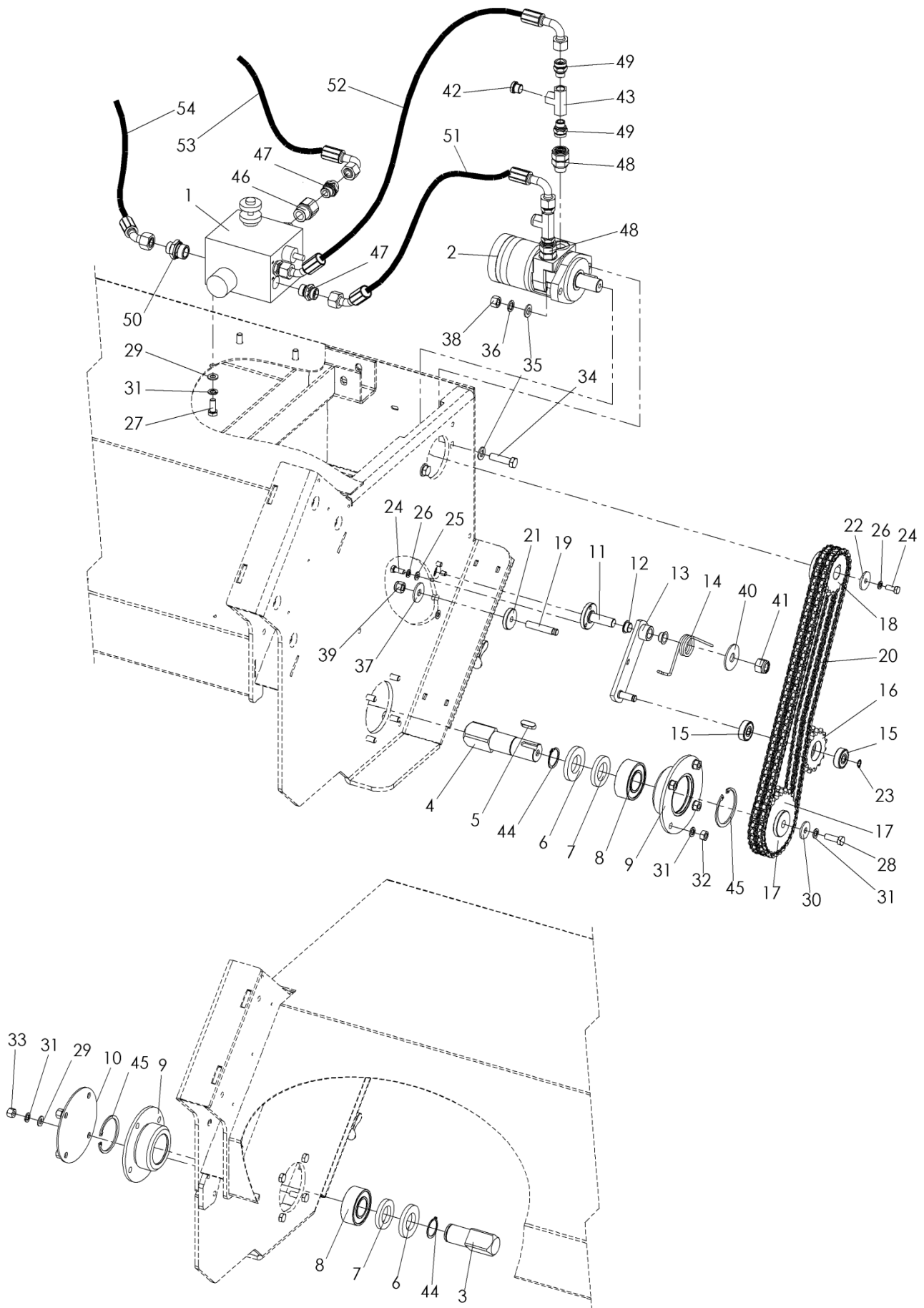
2.1.2KM 27070 H - C05584 R01

No.	Art.-No.	No.	designation
1	C05545 R01	1	basic housing KM 27070
2	C04578	1	Lower part of the complete housing. right R01
3	C04175	2	parking support complete
4	C04010	2	parallel supports
5	C07278	1	ball bearing slewing ring
6	C07275	1	mother wreath complete
7	C04174	1	Swivel cylinder mount complete
8	050 427 013	1 set	wheel support
9	C05554	1	cross tube
10	900 839 215	2	heavy-duty swivel castors
11	C04163	1	chain guard cover
12	C02584	4	spacer sleeve
13	C04425	4	plastic strips
14	C04421	2	mudguard guide system
15	900 008 006	8	pull-in nut
16	943 140 402	2	protective cap
17	C10841	1	hand crank
18	942 001 012	1	handle
19	901 512 380	4	U-bolt
20	907 190 550	1	pipe linchpin
21	C05632	1	outer tube complete
22	C05633	1	inner tube complete
23	907 400 073	1	upper link pin
24	907 400 074	2	upper link pin
25	907,111,000	3	linch pin
26	C06076	1	complete pipe for parking support
27	C06073	1	holder complete
28	943 160 604	1	protective cap
29	C03290	2	cable holder upper part
30	C03291	2	cable holder lower part
31	901 206 012	14	countersunk screw with hexagon socket
32	903 906 016	8	Lens head screw with hexagon socket
33	901 006 050	2	hexagon screw without shaft
34	905,106,000	4	U-disk
35	900 006 002	2	lock nut
36	901 008 016	4	hexagon screw without shaft
37	905,108,000	8	U-disk
38	900 008 002	4	lock nut
39	905 008 000	4	spring ring
40	901 212 020	5	countersunk screw with hexagon socket
41	901 012 040	8	hexagon screw without shaft
42	901 112 100	12	hexagon screw with shaft
43	905,112,000	48	U-disk
44	900 012 002	28	lock nut
45	901 116 120	7	hexagon screw with shaft
46	905,116,000	14	U-disk
47	900 016 002	7	lock nut
48	950 900 160	1	sticker Kersten
49	950 270 700	1	sticker KM 27070
50	C05835	2	hydraulic line
51	931 091 500	4	hydraulic screw connection
52	931 061 500	1	hydraulic screw connection
53	930...	2	hydraulic hose depending on the tractor
54	932...	2	hydraulic connector; tractor-dependent

2.1.3KM 30070 H - C05585 R01

No.	Art.-No.	No.	designation
1	C05839 R01	1	basic housing KM 30070
2	C04578	1	Lower part of the complete housing. right R01
3	C04175	2	parking support complete
4	C04010	2	parallel supports
5	C07278	1	ball bearing slewing ring
6	C07275	1	mother wreath complete
7	C04174	1	Swivel cylinder mount complete
8	050 427 013	1 set	wheel support
9	C05838	1	cross tube
10	900 839 215	2	heavy-duty swivel castors
11	C04163	1	chain guard cover
12	C02584	4	spacer sleeve
13	C04425	4	plastic strips
14	C04421	2	mudguard guide system
15	900 008 006	8	pull-in nut
16	943 140 402	2	protective cap
17	C10841	1	hand crank
18	942 001 012	1	handle
19	901 512 380	4	U-bolt
20	907 190 550	1	pipe linchpin
21	C05632	1	outer tube complete
22	C05633	1	inner tube complete
23	907 400 073	1	upper link pin
24	907 400 074	2	upper link pin
25	907,111,000	3	linch pin
26	C06076	1	complete pipe for parking support
27	C06073	1	holder complete
28	943 160 604	1	protective cap
29	C03290	2	cable holder upper part
30	C03291	2	cable holder lower part
31	901 206 012	14	countersunk screw with hexagon socket
32	903 906 016	8	Lens head screw with internal hexagon
33	901 006 050	2	hexagon screw without shaft
34	905,106,000	4	U-disk
35	900 006 002	2	lock nut
36	901 008 016	4	hexagon screw without shaft
37	905,108,000	8	U-disk
38	900 008 002	4	lock nut
39	905 008 000	4	spring ring
40	901 212 020	5	countersunk screw with hexagon socket
41	901 012 040	8	hexagon screw without shaft
42	901 112 100	12	hexagon screw with shaft
43	905,112,000	48	U-disk
44	900 012 002	28	lock nut
45	901 116 120	7	hexagon screw with shaft
46	905,116,000	14	U-disk
47	900 016 002	7	lock nut
48	950 900 160	1	sticker Kersten
49	950 300 700	1	sticker KM 30070
50	C05837	2	hydraulic line
51	931 091 500	4	hydraulic screw connection
52	931 061 500	1	hydraulic screw connection
53	930...	2	hydraulic hose depending on the tractor
54	932...	2	hydraulic connector; tractor-dependent

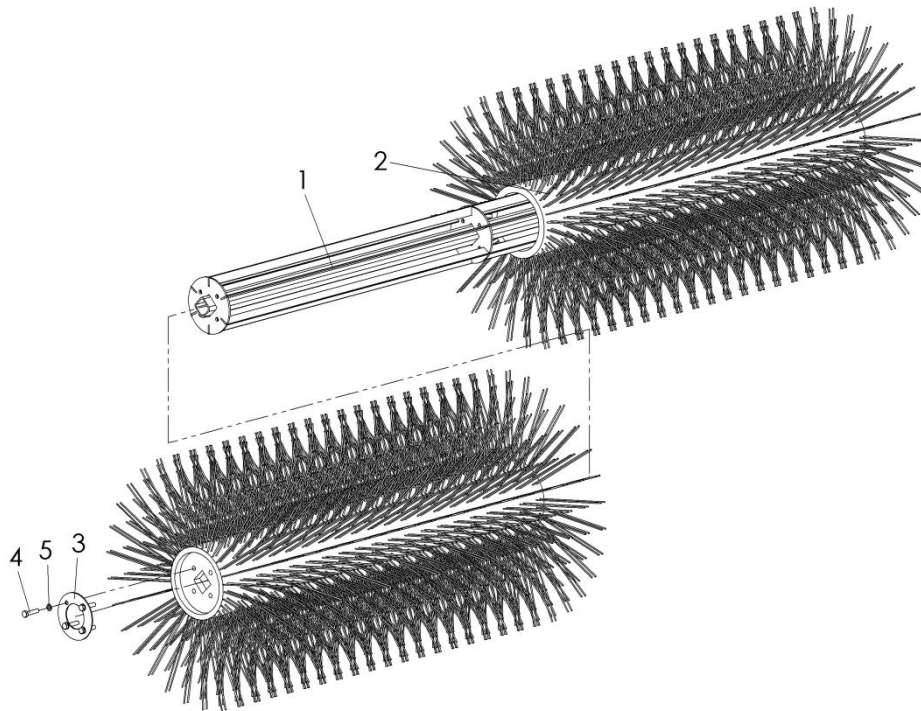
2.2 Drive unit C05788 R00



drive unit C05788 R00

No.	Art.-No.	No.	designation
1	936 202 010	1	central control block
2	935 343 195	1	hydraulic motor
3	C04606	1	drive stub right
4	C04607	1	drive stub left
5	908 010 830	1	key
6	C04419	2	spacer large
7	C04420	2	spacer small
8	924 103 207	2	ball bearings
9	C04444	2	bearing housing complete
10	C04432	1	cover KW storage
11	C02578	1	swivel axis
12	915 161 809	2	plain bearings
13	C02581	1	clamping lever
14	C03154	1	leg spring left
15	924 106 301	2	ball bearings
16	C02590	1	sprocket for tension pulley
17	C02652	1	Sprocket 24Z complete
18	C02653	1	sprocket
19	C02640	1	stop bolt for tension lever
20	920 121 250	1	drive chain
21	C02644	1	lock nut
22	705 360 803	1	disc
23	905 900 111	1	retaining ring outside
24	901 008 020	4	hexagon screw without shaft
25	905,108,000	4	U-disk
26	905 008 000	4	spring ring
27	901 010 025	3	hexagon screw without shaft
28	901 010 030	1	hexagon screw without shaft
29	905,110,000	7	U-disk 10mm V2A
30	905 210 303	1	K-disk
31	905,010,000	12	spring ring
32	900 010 001	4	Skt.-Mutter
33	900 010 003	4	cap nut, flat
34	901 012 045	2	hexagon screw without shaft
35	905 012 000	2	spring ring
36	905,112,000	4	U-disk
37	905 212 001	1	K-disk
38	900 012 001	2	Skt.-Mutter
39	900 012 002	1	lock nut
40	905,216,000	1	K-disk
41	900 016 002	1	lock nut
42	931 130 038	2	closure - blind plug
43	931 052 038	2	T-piece
44	905,935,000	2	retaining ring outside
45	906,000,720	2	retaining ring inside
46	931 134 012	1	hydraulic screw connection
47	931 071 512	3	hydraulic screw connection
48	931 031 512	2	hydraulic screw connection
49	931 071 538	4	hydraulic screw connection
50	931 071 534	1	hydraulic screw connection
51	930 970 001	1	hydraulic hose
52	930 970 002	1	hydraulic hose
53	930 970 003	1	hydraulic hose
54	930 970 004	1	hydraulic hose

2.3 Broom and basket assembly



2.3.1 Sweeping roller KM 25070 - C05596 R00

No.	Art.-No.	No.	designation
1	C04447	1	complete sweeping roller basket
2	250 710 068	1 set	combination sweeper roller KM 25070
3	C04596	2	safety plate for the sweeping roller basket
4	901 110 045	8	hexagon screw with shaft
5	905,010,000	8	spring ring

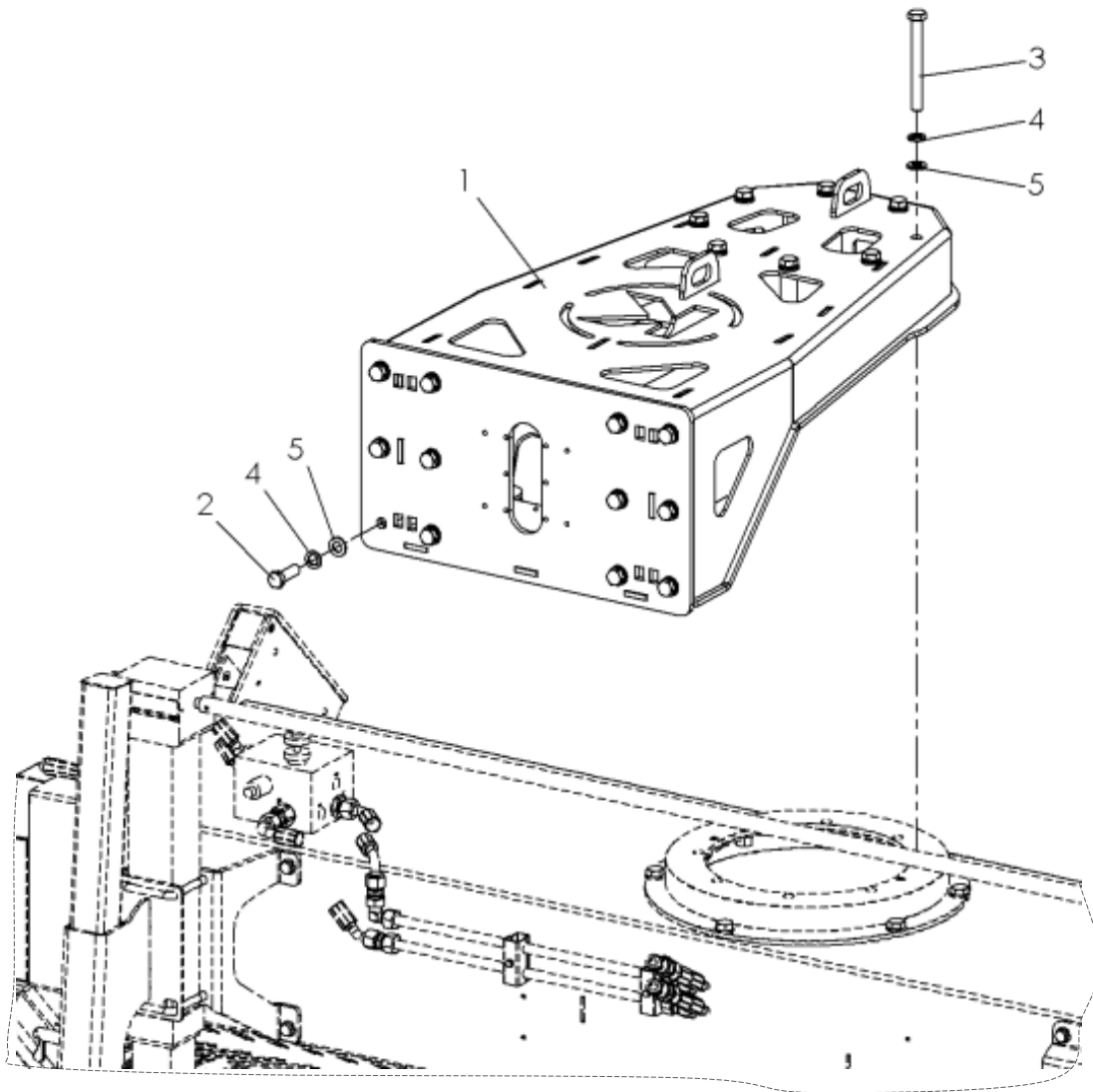
2.3.2 Sweeping roller KM 27070 - C05634 R00

No.	Art.-No.	No.	designation
1	C05557	1	complete sweeping roller basket
2	270 710 068	1 set	combination sweeper roller KM 27070
3	C04596	2	safety plate for the sweeping roller basket
4	901 110 045	8	hexagon screw with shaft
5	905,010,000	8	spring ring

2.3.3 Sweeping roller KM 30070 - C05635 R00

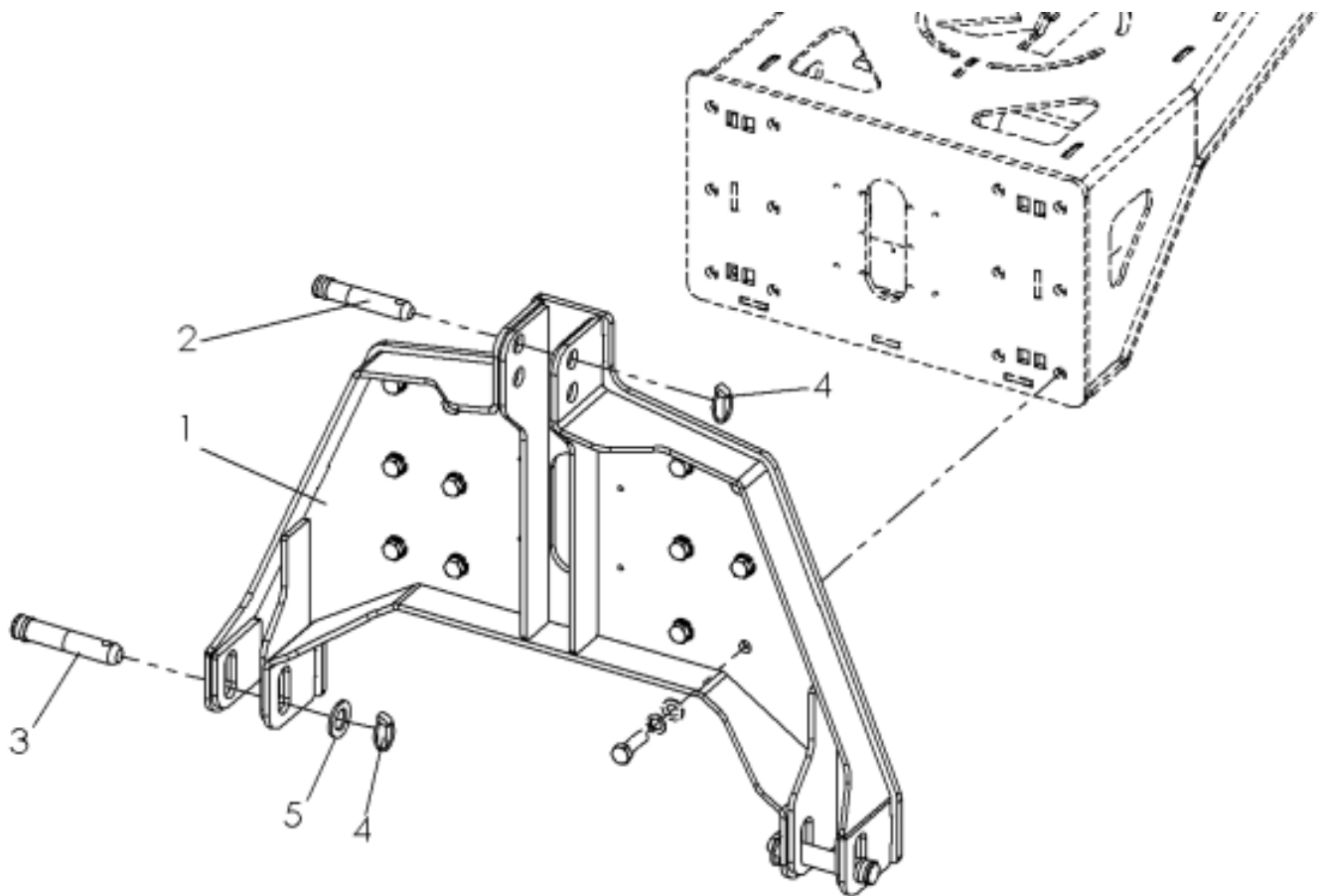
No.	Art.-No.	No.	designation
1	C05636	1	complete sweeping roller basket
2	300 710 068	1 set	combination sweeper roller KM 30070
3	C04596	2	safety plate for the sweeping roller basket
4	901 110 045	8	hexagon screw with shaft
5	905,010,000	8	spring ring

2.4 Machine carrier C05641 R01



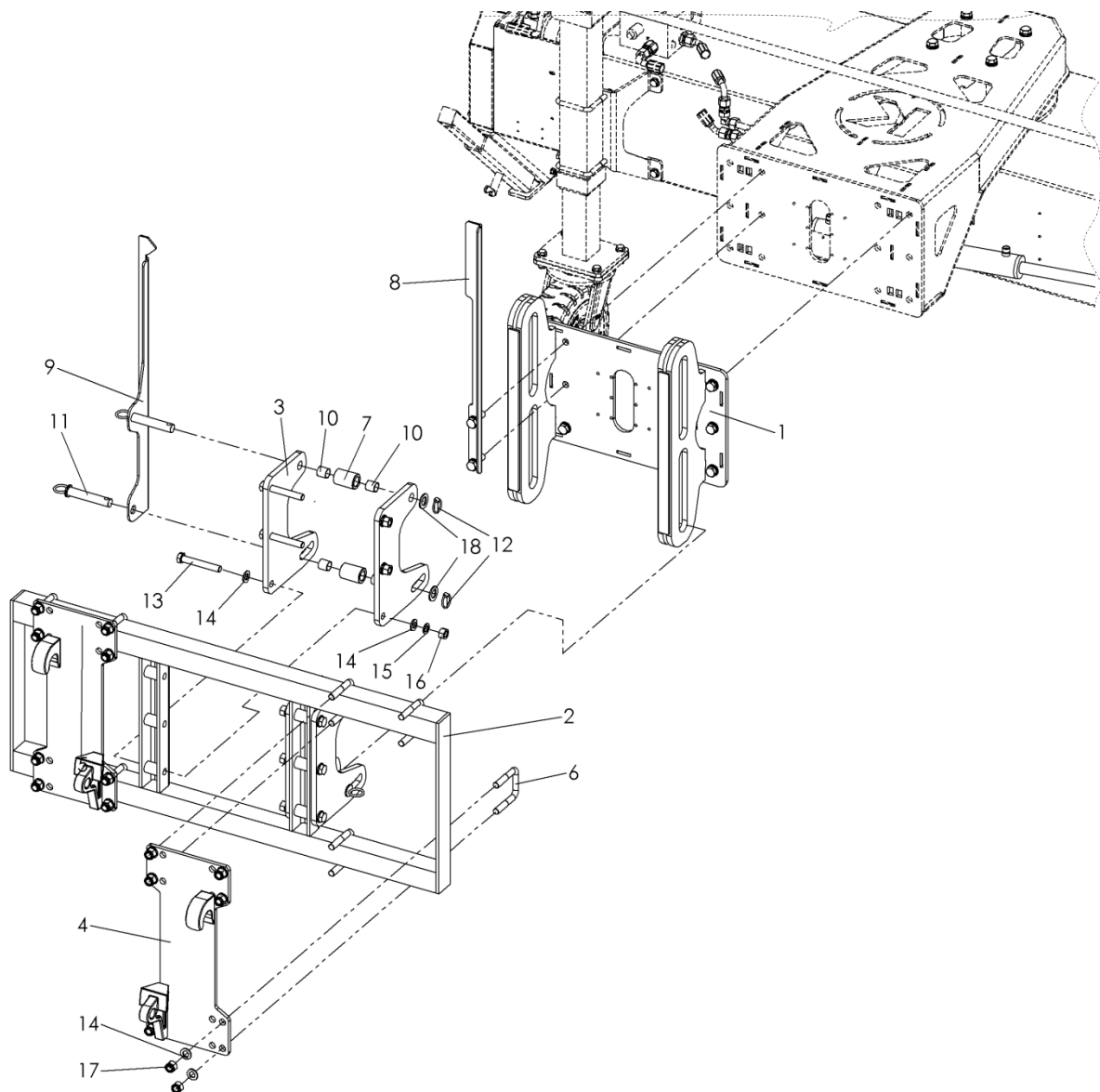
No.	Art.-No.	No.	designation
1	C04097	1	machine carrier
2	901 016 050	12	hexagon screw without shaft
3	901 116 150	8	hexagon screw with shaft
4	905,016,000	20	spring ring
5	905,116,000	20	U-disk

2.5 ABR 70 FRONTI C05589 R00



No.	Art.-No.	No.	designation
1	C05249	1	3-point attachment frame complete
2	907 425 105	1	upper link pin
3	907 428 116	2	upper link pin
4	907,111,000	3	linch pin
5	905,128,000	2	U-disk

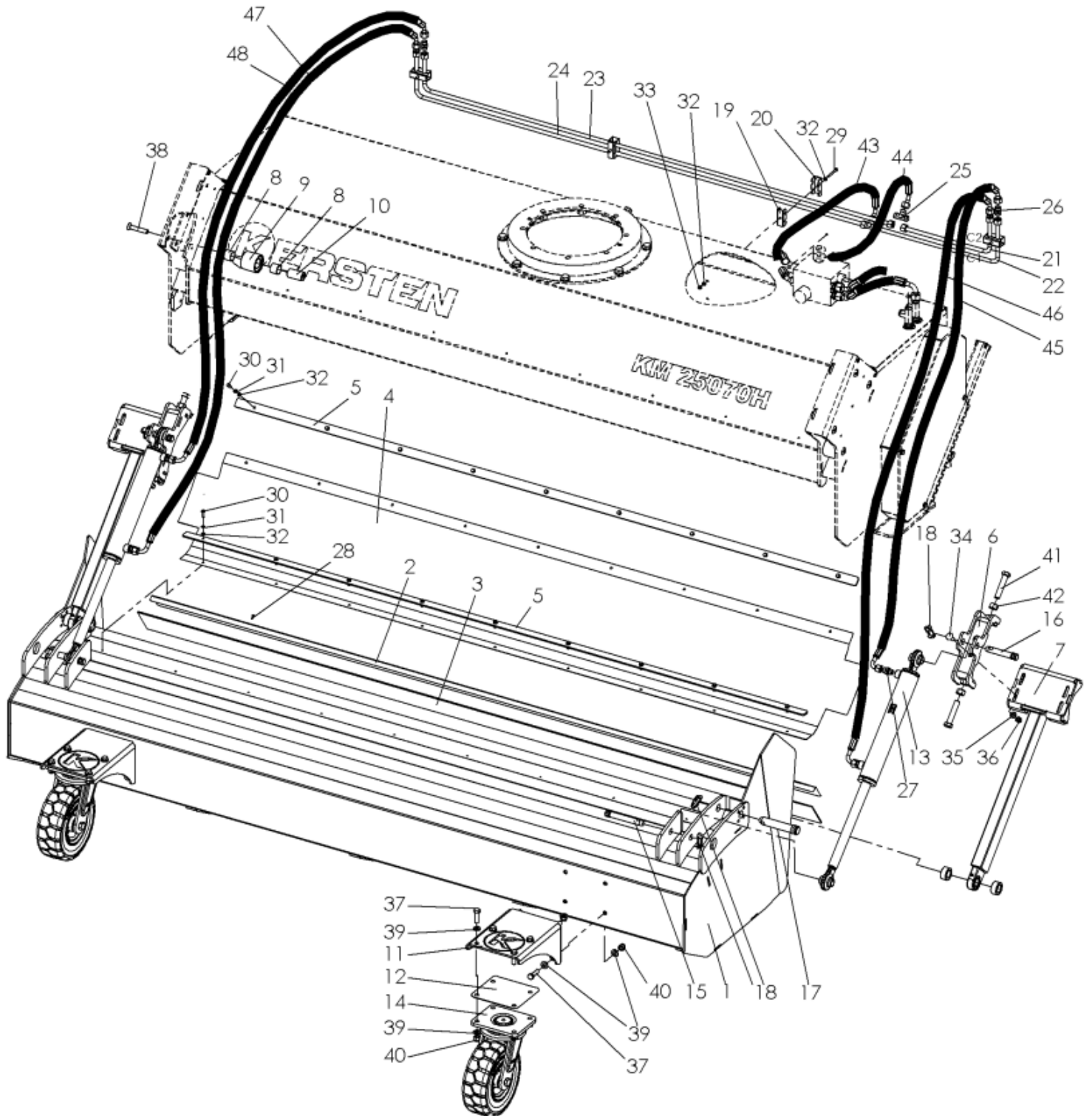
2.6 ABR 70 TELE - C05394 R00



No.	Art.-No.	No.	designation
1	C04111	1	Height adjustment on the machine side completely
2	C04102	1	mounting frame
3	C04006	4	height adjustment screwed
4	upon request	1	Euro-3 screw plate right
5	upon request	1	Euro-3 screw plate left
6	901 516 568	8	U-bolt
7	C04086	4	pressure roller
8	C04422	1	altitude indicator on the KM side
9	C04423	1	height indicator on the tractor side
10	915 222 525	8	IGUS plain bearings
11	800 120 022	4	eyebolt
12	907,110,000	4	linch pin
13	901 116 110	6	hexagon screw with shaft
14	905,116,000	28	U-disk
15	905,016,000	6	spring ring
16	900 016 001.1	6	St. Mother
17	900 016 002	16	lock nut
18	905,122,000	4	U-disk

3 Accessories for sweeper

3.1 Dirt collection container with hydraulic container emptying



3.1.1 SSB 25070 - C05591 R00

No.	Art.-No.	No.	designation
1	C04053	1	SSB complete
2	C05520	1	angle rail
3	C05647	1	rubber flaps
4	950 252 410	1	splash guard
5	C04557	2	terminal block
6	C05223	2	adjustment slide complete
7	C04960	2	guide arm R01 complete
8	915 283 225	20	IGUS plain bearings
9	C04085	8	pressure roller Ø60
10	C04143	8	socket Ø28 normal
11	C04071	2	wheel holder
12	C04072	2	intermediate plate wheel holder
13	933 103 006	2	cylinder for emptying the container
14	926 300 302	2	swivel caster
15	907 400 074	2	upper link pin
16	907 400 073	2	upper link pin
17	907 425 105	2	upper link pin
18	907,111,000	6	linch pin
19	110 371 053	4	cable holder lower part 12L
20	110 371 054	4	cable holder upper part 12L
21	C05348	1	hydraulic line
22	C05349	1	hydraulic line
23	C05350	1	hydraulic line
24	C05351	1	hydraulic line
25	931 191 212	2	hydraulic screw connection
26	931 091 200	4	hydraulic screw connection
27	931 071 238	4	hydraulic screw connection
28	902 642 013	9	self-tapping screw
29	901 006 050	4	hexagon screw without shaft
30	901 006 020	18	hexagon screw without shaft
31	905,006,000	18	spring ring
32	905,106,000	26	U-disk
33	900 006 002	4	lock nut
34	901 910 035	4	carriage bolt
35	905,110,000	4	U-disk 10mm V2A
36	900 010 002	4	lock nut
37	901 012 040	16	hexagon screw without shaft
38	901 212 070	8	countersunk screw with hexagon socket
39	905,112,000	32	U-disk
40	900 012 002	16	lock nut
41	901 016 080	4	hexagon screw without shaft
42	900 016 001	4	St. Mother
			Hose set: 930 970 998
43	930 970 006		hydraulic hose
44	930 970 007		hydraulic hose
45	930 970 008		hydraulic hose
46	930 970 009		hydraulic hose
47	930 970 010		hydraulic hose
48	930 970 011		hydraulic hose

3.1.2 SSB 27070 - C07531 R00

No.	Art.-No.	No.	designation
1	C05574	1	SSB complete
2	C05521	1	angle rail
3	C05843	1	rubber flaps
4	950 272 410	1	splash guard
5	C05560	2	terminal block
6	C05223	2	adjustment slide complete
7	C04960	2	guide arm R01 complete
8	915 283 225	20	IGUS plain bearings
9	C04085	8	pressure roller Ø60
10	C04143	8	socket Ø28 normal
11	C04071	2	wheel holder
12	C04072	2	intermediate plate wheel holder
13	933 103 006	2	cylinder for emptying the container
14	926 300 302	2	swivel caster
15	907 400 074	2	upper link pin
16	907 400 073	2	upper link pin
17	907 425 105	2	upper link pin
18	907,111,000	6	linch pin
19	110 371 053	4	cable holder lower part 12L
20	110 371 054	4	cable holder upper part 12L
21	C05348	1	hydraulic line
22	C05349	1	hydraulic line
23	C05350	1	hydraulic line
24	C05351	1	hydraulic line
25	931 191 212	2	hydraulic screw connection
26	931 091 200	4	hydraulic screw connection
27	931 071 238	4	hydraulic screw connection
28	902 642 013	9	self-tapping screw
29	901 006 050	4	hexagon screw without shaft
30	901 006 020	18	hexagon screw without shaft
31	905,006,000	18	spring ring
32	905,106,000	26	U-disk
33	900 006 002	4	lock nut
34	901 910 035	4	carriage bolt
35	905,110,000	4	U-disk 10mm V2A
36	900 010 002	4	lock nut
37	901 012 040	16	hexagon screw without shaft
38	901 212 070	8	countersunk screw with hexagon socket
39	905,112,000	32	U-disk
40	900 012 002	16	lock nut
41	901 016 080	4	hexagon screw without shaft
42	900 016 001	4	St. Mother
			Hose set: 930 970 998
43	930 970 006		hydraulic hose
44	930 970 007		hydraulic hose
45	930 970 008		hydraulic hose
46	930 970 009		hydraulic hose
47	930 970 010		hydraulic hose
48	930 970 011		hydraulic hose

3.1.3 SSB 30070 - C07532 R00

No.	Art.-No.	No.	designation
1	C05846	1	SSB complete
2	C05522	1	angle rail
3	C05844	1	rubber flaps
4	950 302 410	1	splash guard
5	C05851	2	terminal block
6	C05223	2	adjustment slide complete
7	C04960	2	guide arm R01 complete
8	915 283 225	20	IGUS plain bearings
9	C04085	8	pressure roller Ø60
10	C04143	8	socket Ø28 normal
11	C04071	2	wheel holder
12	C04072	2	intermediate plate wheel holder
13	933 103 006	2	cylinder for emptying the container
14	926 300 302	2	swivel caster
15	907 400 074	2	upper link pin
16	907 400 073	2	upper link pin
17	907 425 105	2	upper link pin
18	907,111,000	6	linch pin
19	110 371 053	4	cable holder lower part 12L
20	110 371 054	4	cable holder upper part 12L
21	C05348	1	hydraulic line
22	C05349	1	hydraulic line
23	C05350	1	hydraulic line
24	C05351	1	hydraulic line
25	931 191 212	2	hydraulic screw connection
26	931 091 200	4	hydraulic screw connection
27	931 071 238	4	hydraulic screw connection
28	902 642 013	9	self-tapping screw
29	901 006 050	4	hexagon screw without shaft
30	901 006 020	18	hexagon screw without shaft
31	905,006,000	18	spring ring
32	905,106,000	26	U-disk
33	900 006 002	4	lock nut
34	901 910 035	4	carriage bolt
35	905,110,000	4	U-disk 10mm V2A
36	900 010 002	4	lock nut
37	901 012 040	16	hexagon screw without shaft
38	901 212 070	8	countersunk screw with hexagon socket
39	905,112,000	32	U-disk
40	900 012 002	16	lock nut
41	901 016 080	4	hexagon screw without shaft
42	900 016 001	4	St. Mother
			Hose set: 930 970 998
43	930 970 006		hydraulic hose
44	930 970 007		hydraulic hose
45	930 970 008		hydraulic hose
46	930 970 009		hydraulic hose
47	930 970 010		hydraulic hose
48	930 970 011		hydraulic hose

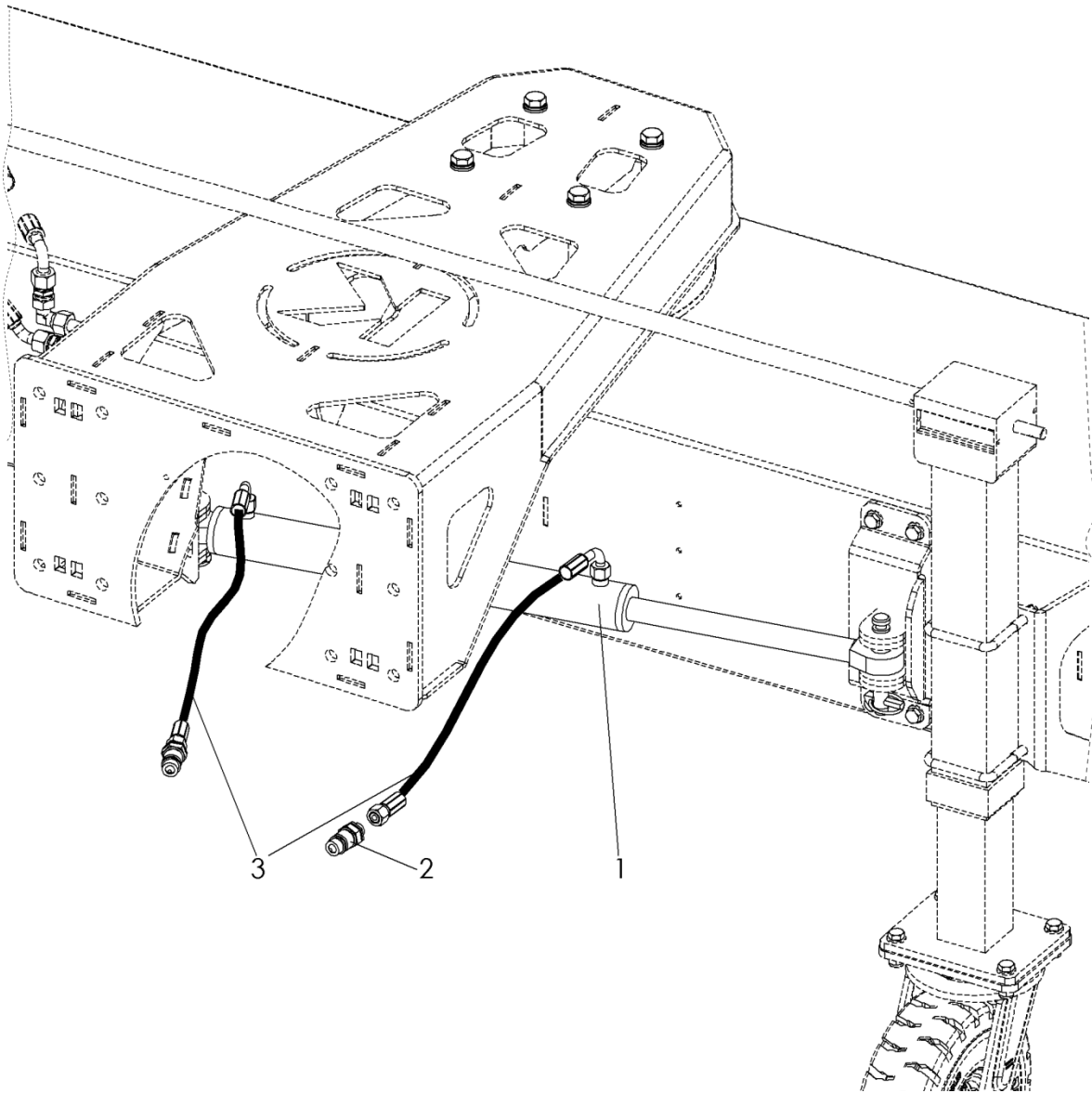
3.2 Splash guard

3.2.1 SPL 25070 - Splash guard 250 cm working width- C0 R00

3.2.2 SPL 27070 - Splash guard 270 cm working width - C0 R00

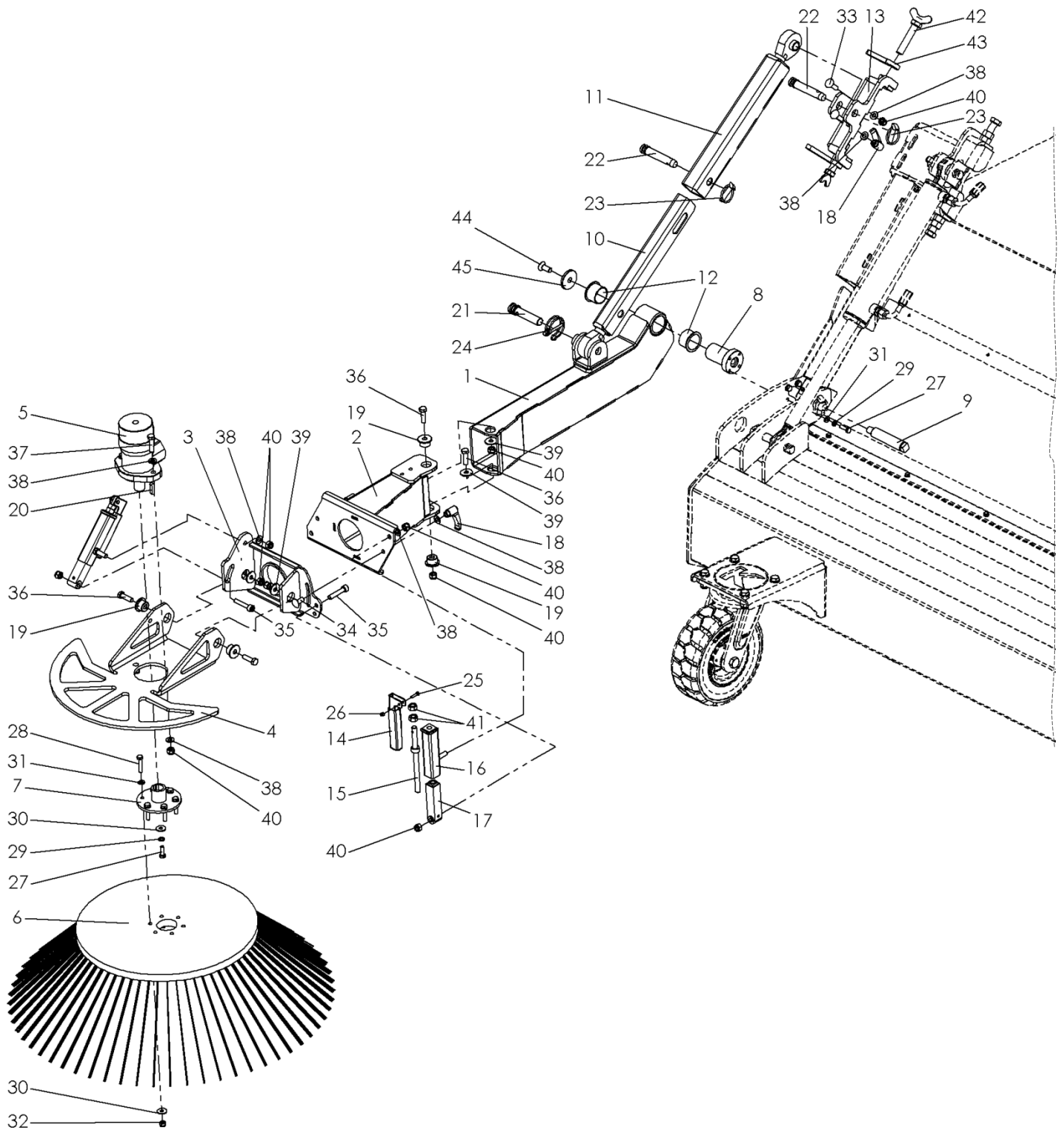
3.2.3 SPL 30070 - Splash guard 250 cm working width - C0 R00

3.3 HSZ-450 Hydraulic swivel device - C05643 R00



No.	Art.-No.	No.	designation
1	933 103 005	1	hydraulic cylinders
2	932 ...	2	hydraulic connector, tractor-dependent
3	930 ...	2	hydraulic hose, tractor-dependent

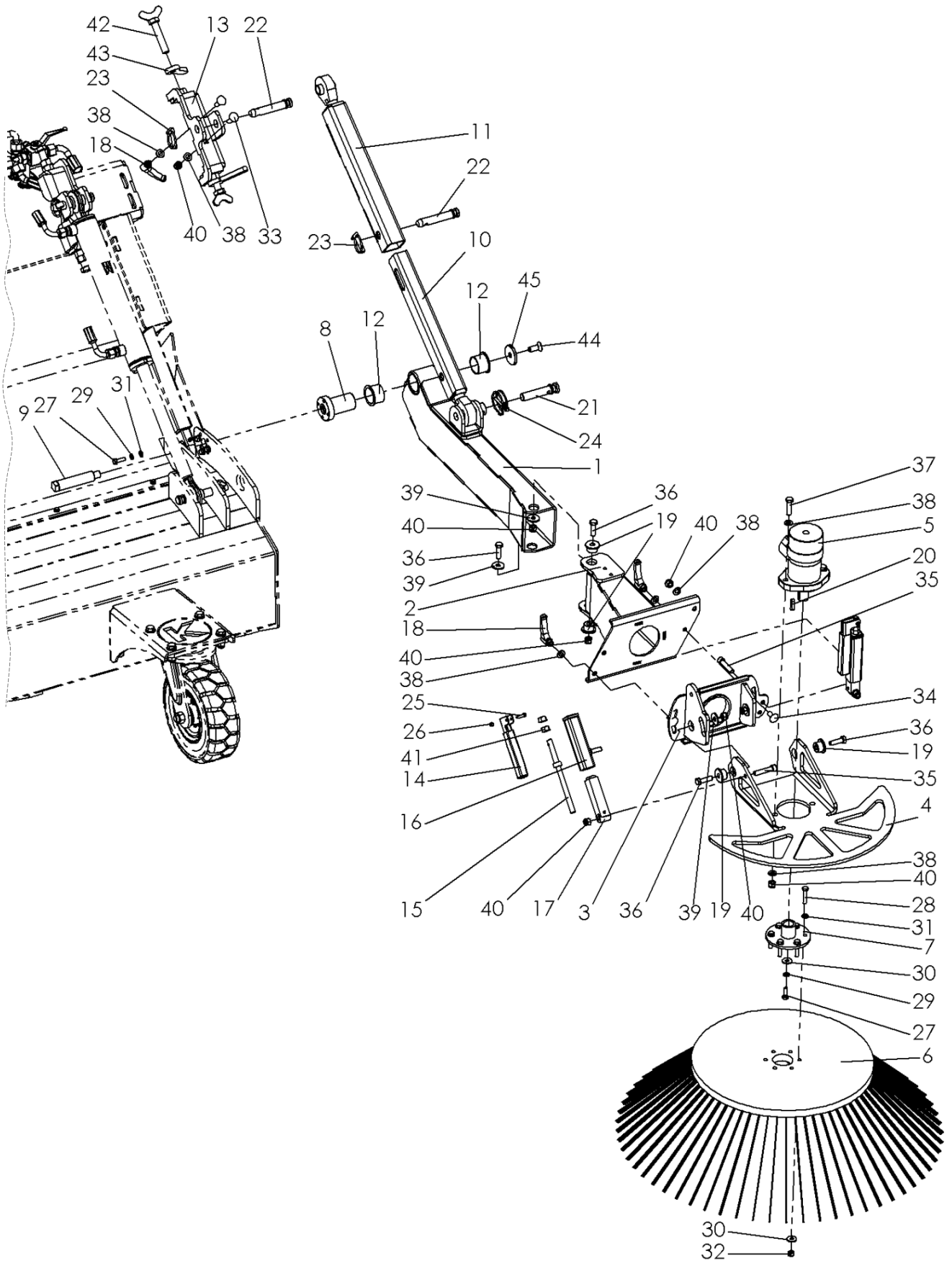
3.4 ASH 7070 R - Side brush attachment, right 70 cm brush Ī - C05594 R00



ASH 7070 R i Side broom, right 70 cm broom Ī - C05594 R00

No.	Art.-No.	No.	designation
1	C04914	1	base arm completely right
2	C04904	1	swivel arm complete
3	C04910	1	swivel frame complete
4	C04905	1	engine mount
5	935 102 400	1	hydraulic motor
6	105 750 450	1	side brush Ø 850 hard
7	700 000 130	1	flange brush plate
8	C04911	1	mounting bolt
9	C04953	1	safety bolt
10	C05460	1	Inner tube completely mechanical
11	C05461	1	Outer tube completely mechanical
12	915 404 430	2	IGUS plain bearings
13	C05223	1	adjustment slide complete
14	700 000 085	2	hand lever
15	700 000 081	2	threaded spindle
16	700 000 140	2	adjustment element above
17	700 000 141	2	adjustment element below
18	941 200 210	3	clamping lever
19	105,000,127	4	centering bushing
20	908 008 732	1	key A8x7x32
21	750,000,028	1	upper link pin
22	907 400 073	2	upper link pin
23	907,111,000	2	linch pin
24	907,155,000	1	pipe linchpin
25	901 005 020	2	hexagon screw without shaft
26	900 005 002	2	lock nut
27	901 008 025	5	hexagon screw without shaft
28	901 008 040	6	hexagon screw without shaft
29	905 008 000	5	spring ring
30	905 208 025	7	K-disk
31	905,108,000	10	U-disk
32	900 008 002	6	lock nut
33	901 910 035	2	carriage bolt
34	901 910 025	2	carriage bolt
35	901 810 050	2	cylinder head screw with hexagon socket
36	901 010 035	4	hexagon screw without shaft
37	901 010 040	2	hexagon screw without shaft
38	905,110,000	10	U-disk 10mm V2A
39	905,210,000	4	K-disk
40	900 010 002	11	lock nut
41	900 012 001	4	Skt.-Mutter
42	C05661	2	wing screw
43	C05005	2	clamping lever M16
44	901 212 030	1	Countersunk screw with hexagon socket
45	C05534	1	locking washer rollers

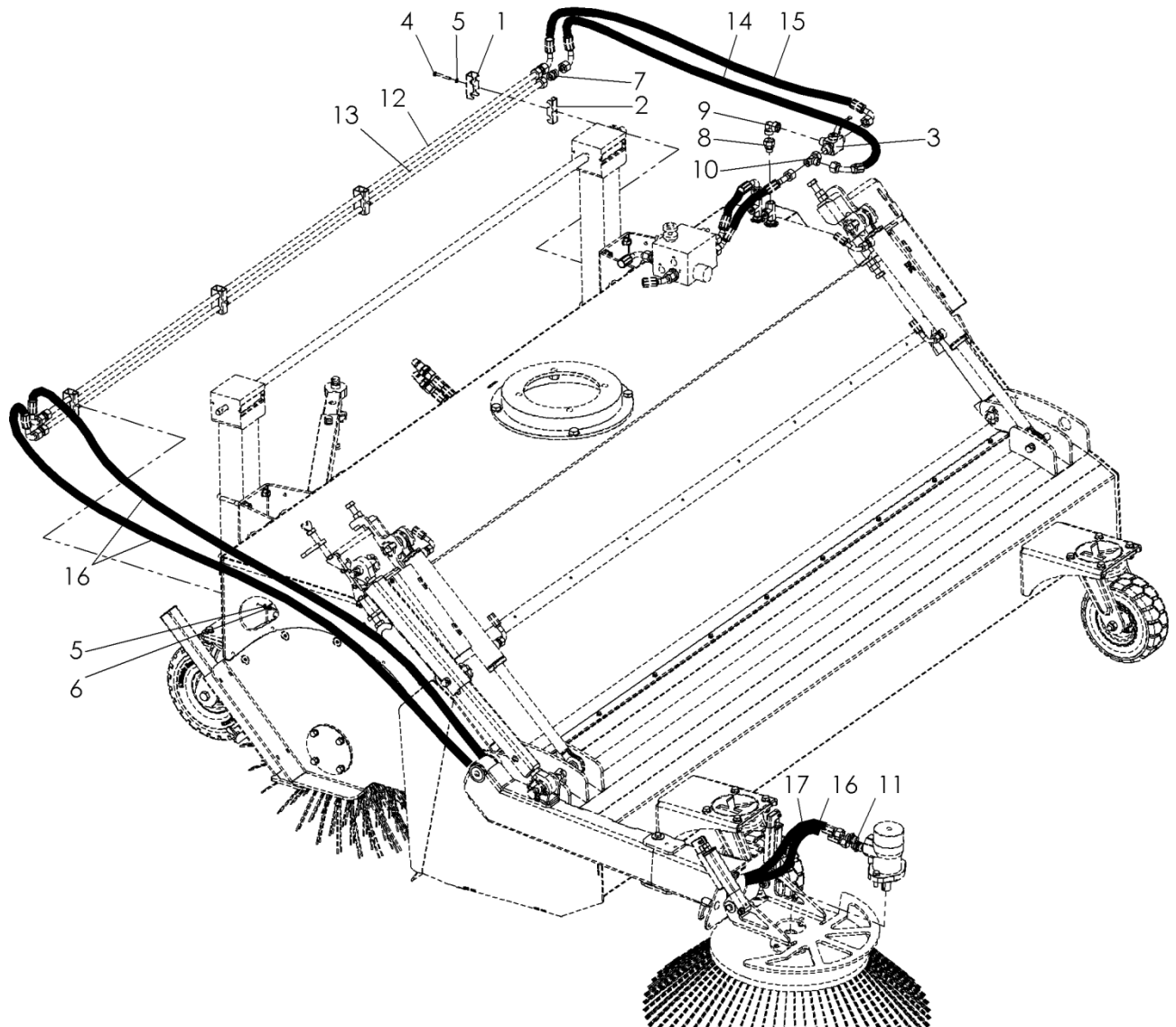
3.5 ASH 7070 L - Attachment side broom, left 70 cm broom Ī - C05593 R00



ASH 7070 L i Attachment side broom, left 70 cm broom Ī - C05593 R00

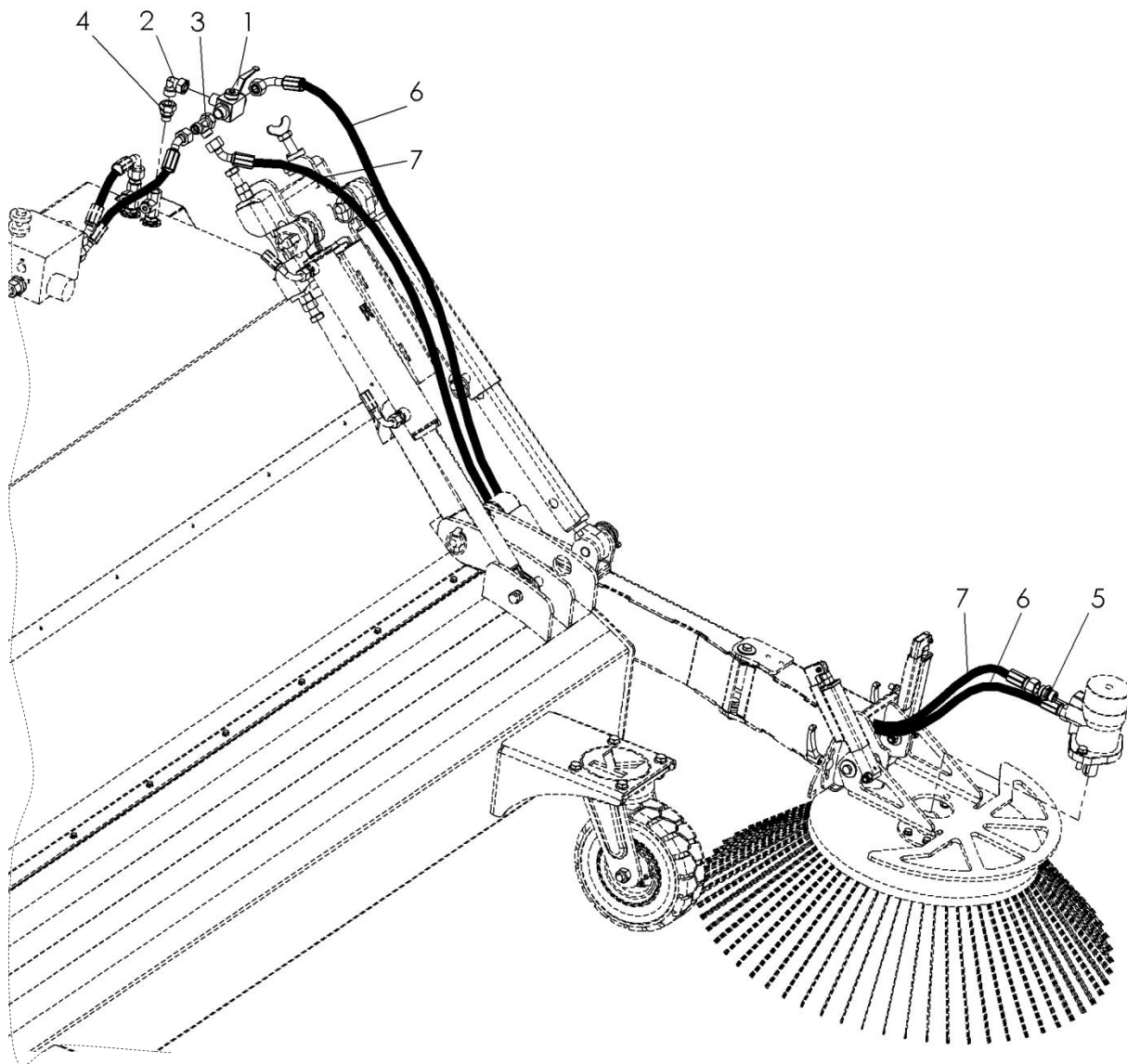
No.	Art.-No.	No.	designation
1	C04899	1	base arm completely left
2	C04904	1	swivel arm complete
3	C04910	1	swivel frame complete
4	C04905	1	engine mount
5	935 102 400	1	hydraulic motor
6	105 750 450	1	side brush Ø 850 hard
7	700 000 130	1	flange brush plate
8	C04911	1	mounting bolt
9	C04953	1	safety bolt
10	C05460	1	Inner tube completely mechanical
11	C05461	1	Outer tube completely mechanical
12	915 404 430	2	IGUS plain bearings
13	C05223	1	adjustment slide complete
14	700 000 085	2	hand lever
15	700 000 081	2	threaded spindle
16	700 000 140	2	adjustment element above
17	700 000 141	2	adjustment element below
18	941 200 210	3	clamping lever
19	105,000,127	4	centering bushing
20	908 008 732	1	key A8x7x32
21	750,000,028	1	upper link pin
22	907 400 073	2	upper link pin
23	907,111,000	2	linch pin
24	907,155,000	1	pipe linchpin
25	901 005 020	2	hexagon screw without shaft
26	900 005 002	2	lock nut
27	901 008 025	5	hexagon screw without shaft
28	901 008 040	6	hexagon screw without shaft
29	905 008 000	5	spring ring
30	905 208 025	7	K-disk
31	905,108,000	10	U-disk
32	900 008 002	6	lock nut
33	901 910 035	2	carriage bolt
34	901 910 025	2	carriage bolt
35	901 810 050	2	cylinder head screw with hexagon socket
36	901 010 035	4	hexagon screw without shaft
37	901 010 040	2	hexagon screw without shaft
38	905,110,000	10	U-disk
39	905,210,000	4	K-disk
40	900 010 002	11	lock nut
41	900 012 001	4	Skt.-Mutter
42	C05661	2	wing screw
43	C05005	2	clamping lever M16
44	901 212 030	1	Countersunk screw with hexagon socket
45	C05534	1	locking washer rollers

3.5.1 ASH 7070, right 70 cm broom ï, hydraulic connections - C05662 R00



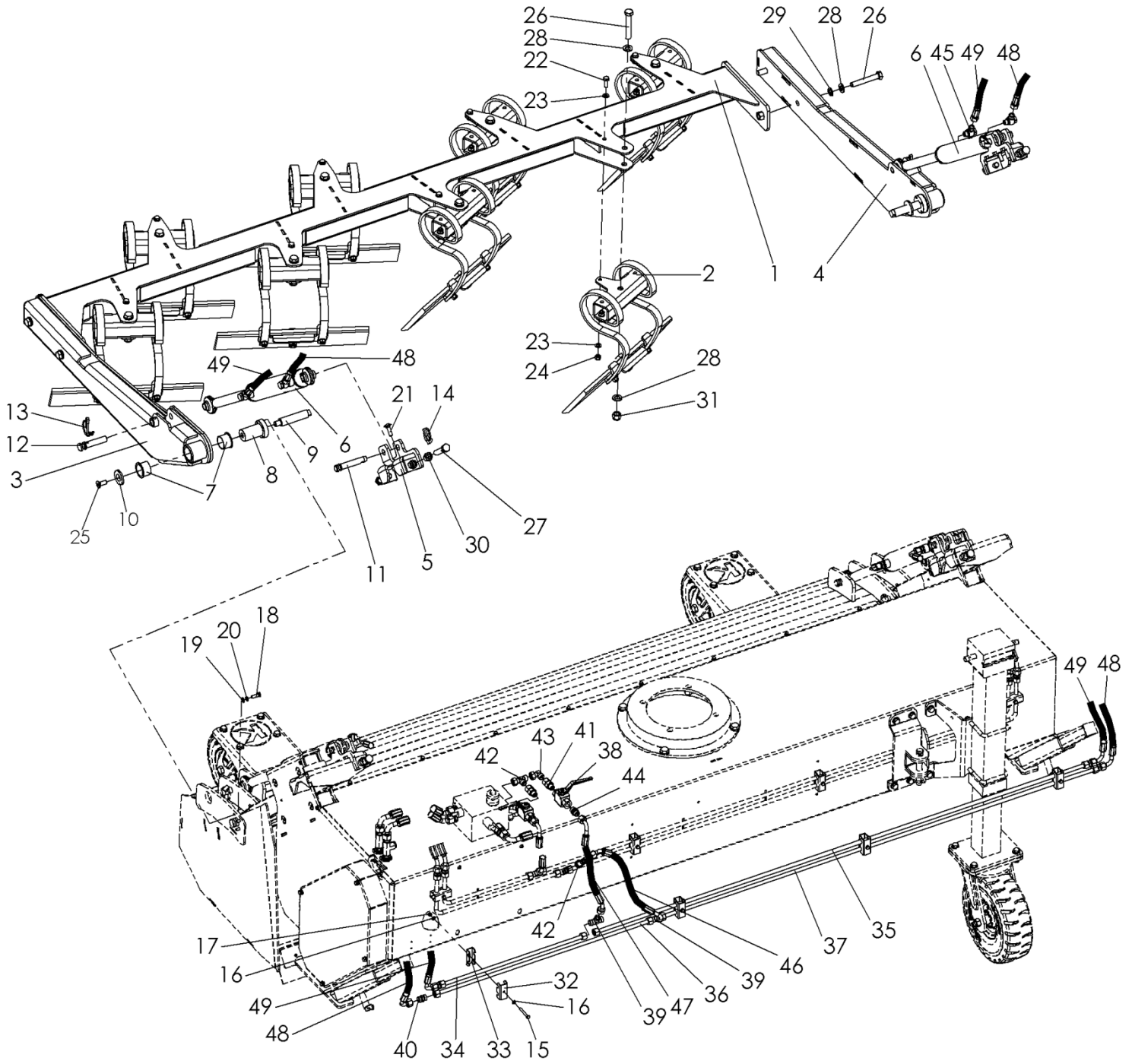
No.	Art.-No.	No.	designation
1	C03290	4	cable holder upper part 15L
2	C03291	4	cable holder lower part 15L
3	931 141 518	1	3-way tap
4	901 006 050	4	hexagon screw without shaft
5	905,106,000	8	U-disk
6	900 006 002	4	lock nut
7	931 091 500	4	hydraulic screw connection
8	931 031 538	1	hydraulic screw connection
9	931 061 500	1	hydraulic screw connection
10	931 041 500	1	hydraulic screw connection
11	931 071 512	2	hydraulic screw connection
12	C05670	1	hydraulic line
13	C05672	1	hydraulic line
14	930 970 015	1	hydraulic hose
15	930 970 016	1	hydraulic hose
16	930 970 017	2	hydraulic hose

3.5.2 ASH 7070, left 70 cm broom I, hydraulic connections - C05663 R00



No.	Art.-No.	No.	designation
1	931 141 518	1	3-way tap
2	931 061 500	1	hydraulic screw connection
3	931 041 500	1	hydraulic screw connection
4	931 031 538	1	hydraulic screw connection
5	931 071 512	2	hydraulic screw connection
6	930 970 018	1	hydraulic hose
7	930 970 019	1	hydraulic hose

3.6 Assembly AKL



3.6.1 AKL KM 25070 - C05883 R00

No.	Art.-No.	No.	designation
1	C05882	1	carrier complete
2	C05887 R00	8	assembly of the scraper element
3	C06119	1	left side arm
4	C06120	1	right side arm
5	C05223	2	adjustment slide complete
6	933 103 006	2	cylinder for emptying the container
7	915 404 430	4	IGUS plain bearings
8	C04911	2	mounting bolt
9	C04953	2	safety bolt
10	C05534	2	locking washer rollers
11	907 400 073	2	upper link pin
12	750,000,028	2	upper link pin
13	907 190 550	2	pipe linchpin
14	907,111,000	2	linch pin
15	901 006 050	4	hexagon screw without shaft
16	905,106,000	8	U-disk
17	900 006 002	4	lock nut
18	901 008 025	8	hexagon screw without shaft
19	905,108,000	8	U-disk
20	905 008 000	8	spring ring
21	901 910 035	4	carriage bolt
22	901 010 030	8	hexagon screw without shaft
23	905,110,000	16	U-disk
24	900 010 002	8	lock nut
25	901 212 030	2	Countersunk screw with hexagon socket
26	901 116 100	12	hexagon screw with shaft
27	901 016 080	4	hexagon screw without shaft
28	905,116,000	20	U-disk
29	905,016,000	4	spring ring
30	900 016 001	4	St. Mother
31	900 016 002	8	lock nut
32	110 371 054	4	cable holder upper part 12L
33	110 371 053	4	cable holder lower part 12L
34	C06181	1	hydraulic line top left
35	C06182	1	hydraulic line top right
36	C06183	1	hydraulic line bottom left
37	C06184	1	hydraulic line bottom right
38	931 141 238	1	2-way tap
39	931 191 212	2	hydraulic screw connection
40	931 091 200	4	hydraulic screw connection
41	931 031 238	2	hydraulic screw connection
42	931 041 200	2	hydraulic screw connection
43	931 061 200	1	hydraulic screw connection
44	931 071 238	1	hydraulic screw connection
45	931 111 238	4	ring screw connection
46	930 970 020	1	hydraulic hose
47	930 970 021	1	hydraulic hose
48	930 001 004	2	hydraulic hose
49	930 000 018	2	hydraulic hose

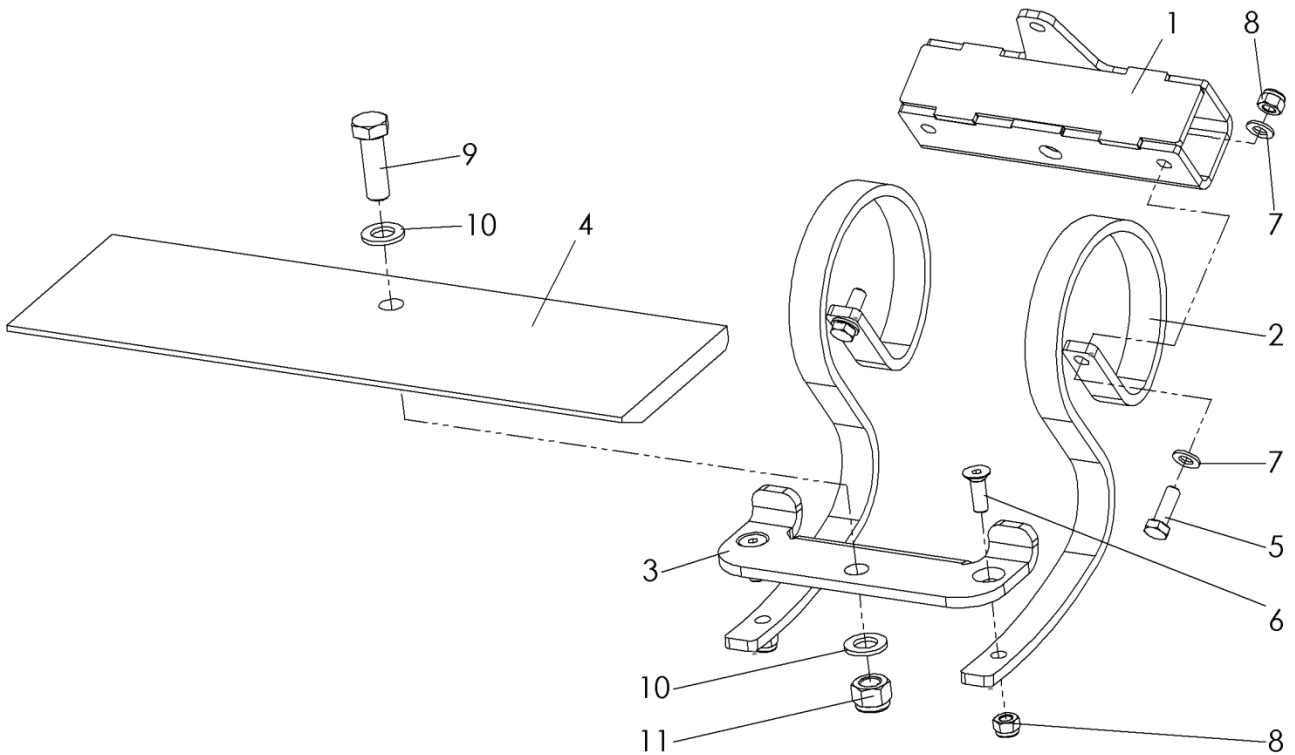
3.6.2 AKL KM 27070 - C06124 R00

No.	Art.-No.	No.	designation
1	C06121	1	carrier complete
2	C05887 R00	9	assembly of the scraper element
3	C06119	1	left side arm
4	C06120	1	right side arm
5	C05223	2	adjustment slide complete
6	933 103 006	2	cylinder for emptying the container
7	915 404 430	4	IGUS plain bearings
8	C04911	2	mounting bolt
9	C04953	2	safety bolt
10	C05534	2	locking washer rollers
11	907 400 073	2	upper link pin
12	750,000,028	2	upper link pin
13	907 190 550	2	pipe linchpin
14	907,111,000	2	linch pin
15	901 006 050	4	hexagon screw without shaft
16	905,106,000	8	U-disk
17	900 006 002	4	lock nut
18	901 008 025	8	hexagon screw without shaft
19	905,108,000	8	U-disk
20	905 008 000	8	spring ring
21	901 910 035	4	carriage bolt
22	901 010 030	8	hexagon screw without shaft
23	905,110,000	16	U-disk
24	900 010 002	8	lock nut
25	901 212 030	2	Countersunk head screw with hexagon socket
26	901 116 100	12	hexagon screw with shaft
27	901 016 080	4	hexagon screw without shaft
28	905,116,000	20	U-disk
29	905,016,000	4	spring ring
30	900 016 001	4	St. Mother
31	900 016 002	8	lock nut
32	110 371 054	4	cable holder upper part 12L
33	110 371 053	4	cable holder lower part 12L
34	C06181	1	hydraulic line top left
35	C06201	1	hydraulic line top right
36	C06183	1	hydraulic line bottom left
37	C06197	1	hydraulic line bottom right
38	931 141 238	1	2-way tap
39	931 191 212	2	hydraulic screw connection
40	931 091 200	4	hydraulic screw connection
41	931 031 238	2	hydraulic screw connection
42	931 041 200	2	hydraulic screw connection
43	931 061 200	1	hydraulic screw connection
44	931 071 238	1	hydraulic screw connection
45	931 111 238	4	ring screw connection
46	930 970 020	1	hydraulic hose
47	930 970 021	1	hydraulic hose
48	930 001 004	2	hydraulic hose
49	930 000 018	2	hydraulic hose

3.6.3 AKL KM 30070 - C06205 R00

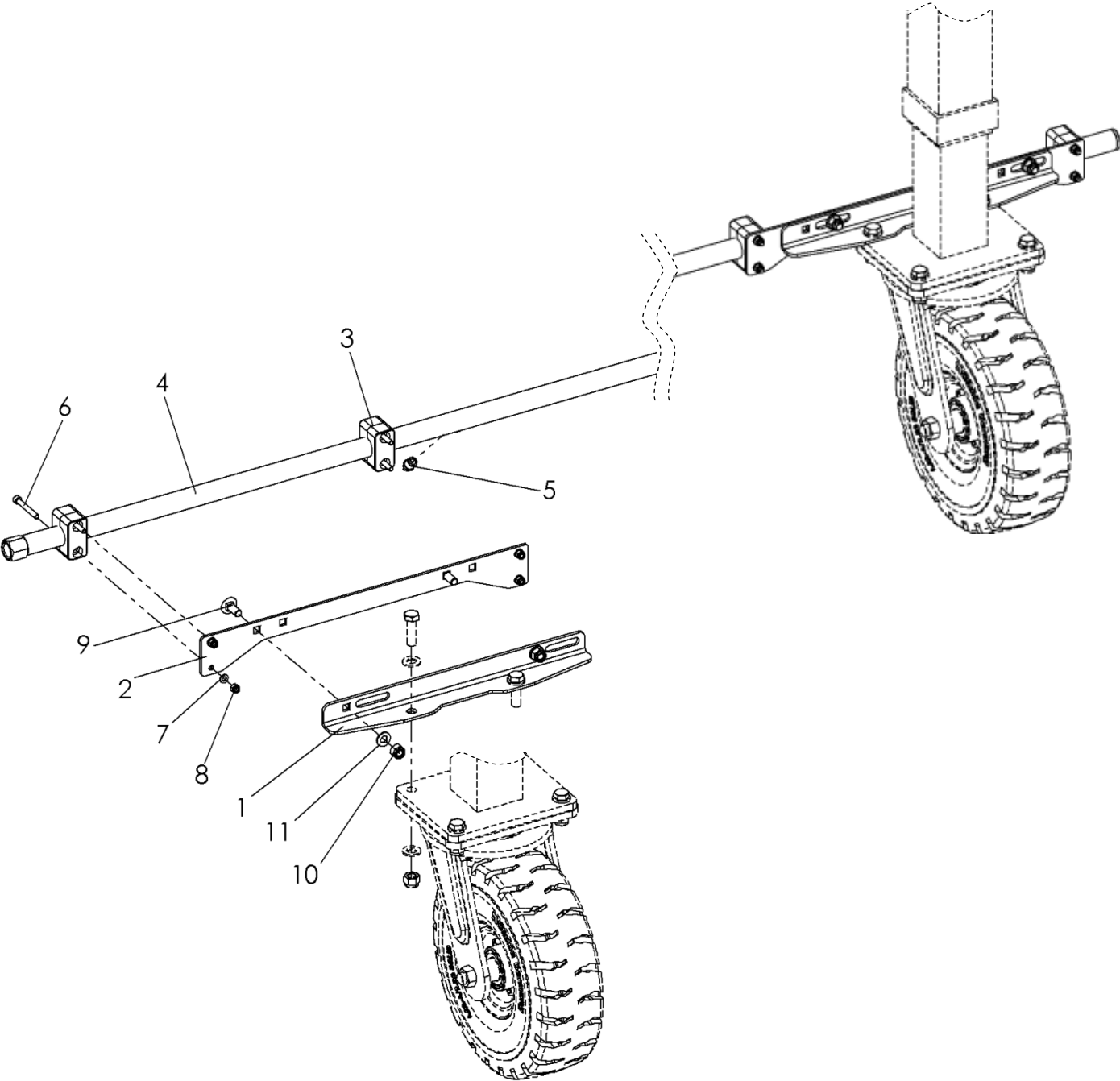
No.	Art.-No.	No.	designation
1	C06204	1	carrier complete
2	C05887 R00	10	assembly of the scraper element
3	C06119	1	left side arm
4	C06120	1	right side arm
5	C05223	2	adjustment slide complete
6	933 103 006	2	cylinder for emptying the container
7	915 404 430	4	IGUS plain bearings
8	C04911	2	mounting bolt
9	C04953	2	safety bolt
10	C05534	2	locking washer rollers
11	907 400 073	2	upper link pin
12	750,000,028	2	upper link pin
13	907 190 550	2	pipe linchpin
14	907,111,000	2	linch pin
15	901 006 050	4	hexagon screw without shaft
16	905,106,000	8	U-disk
17	900 006 002	4	lock nut
18	901 008 025	8	hexagon screw without shaft
19	905,108,000	8	U-disk
20	905 008 000	8	spring ring
21	901 910 035	4	carriage bolt
22	901 010 030	8	hexagon screw without shaft
23	905,110,000	16	U-disk
24	900 010 002	8	lock nut
25	901 212 030	2	Countersunk head screw with hexagon socket
26	901 116 100	12	hexagon screw with shaft
27	901 016 080	4	hexagon screw without shaft
28	905,116,000	20	U-disk
29	905,016,000	4	spring ring
30	900 016 001	4	St. Mother
31	900 016 002	8	lock nut
32	110 371 054	4	cable holder upper part 12L
33	110 371 053	4	cable holder lower part 12L
34	C06181	1	hydraulic line top left
35	C06203	1	hydraulic line top right
36	C06183	1	hydraulic line bottom left
37	C06199	1	hydraulic line bottom right
38	931 141 238	1	2-way tap
39	931 191 212	2	hydraulic screw connection
40	931 091 200	4	hydraulic screw connection
41	931 031 238	2	hydraulic screw connection
42	931 041 200	2	hydraulic screw connection
43	931 061 200	1	hydraulic screw connection
44	931 071 238	1	hydraulic screw connection
45	931 111 238	4	ring screw connection
46	930 970 020	1	hydraulic hose
47	930 970 021	1	hydraulic hose
48	930 001 004	2	hydraulic hose
49	930 000 018	2	hydraulic hose

3.7 Scraper element assembly - C05887 R00



No.	Art.-No.	No.	designation
1	C05886	1	complete tine carrier
2	948 031 032	2	spring tines
3	C05888	1	handlebar
4	C05889	1	Hardox rail
5	901 010 030	2	hexagon screw without shaft
6	901 210 030	2	countersunk screw with hexagon socket
7	905,110,000	6	U-disk
8	900 010 002	4	lock nut
9	901 016 050	1	hexagon screw without shaft
10	905,116,000	2	U-disk
11	900 016 002	1	lock nut

3.8 Assembly of pressure bar DL-WAS / high pressure bar HDL-WAS



3.8.1 DL-WAS-KM 25070 - C05805 R00

No.	Art.-No.	No.	designation
1	C05803	2	base plate
2	C05804	2	clamp retaining plate
3	908 911 412	4	pipe clamp
4	C05808	1	stainless steel pipe complete
5	961 060 010	5	low-pressure nozzle
6	901 806 050	8	Cylinder head screw with hexagon socket
7	905,106,000	8	U-disk
8	900 006 002	8	lock nut
9	901 910 025	4	carriage bolt
10	900 010 002	4	lock nut
11	905,110,000	4	U-disk

3.8.2 DL-WAS-KM 27070 - C05965 R00

No.	Art.-No.	No.	designation
1	C05803	2	base plate
2	C05804	2	clamp retaining plate
3	908 911 412	4	pipe clamp
4	C05966	1	stainless steel pipe complete
5	961 060 010	5	low-pressure nozzle
6	901 806 050	8	Cylinder head screw with hexagon socket
7	905,106,000	8	U-disk
8	900 006 002	8	lock nut
9	901 910 025	4	carriage bolt
10	900 010 002	4	lock nut
11	905,110,000	4	U-disk

3.8.3 DL-WAS-KM 30070 - C06299 R00

No.	Art.-No.	No.	designation
1	C05803	2	base plate
2	C05804	2	clamp retaining plate
3	908 911 412	4	pipe clamp
4	C06298	1	stainless steel pipe complete
5	961 060 010	5	low-pressure nozzle
6	901 806 050	8	Cylinder head screw with hexagon socket
7	905,106,000	8	U-disk
8	900 006 002	8	lock nut
9	901 910 025	4	carriage bolt
10	900 010 002	4	lock nut
11	905,110,000	4	U-disk

3.8.4 HDL-WAS-KM 25070 - C06322 R00

No.	Art.-No.	No.	designation
1	C05803	2	base plate
2	C05804	2	clamp retaining plate
3	908 911 412	4	pipe clamp
4	C06323	1	stainless steel pipe complete
5	961 060 011	10	high-pressure nozzle
6	901 806 050	8	Cylinder head screw with hexagon socket
7	905,106,000	8	U-disk
8	900 006 002	8	lock nut
9	901 910 025	4	carriage bolt
10	900 010 002	4	lock nut
11	905,110,000	4	U-disk

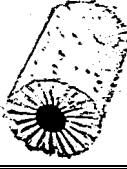


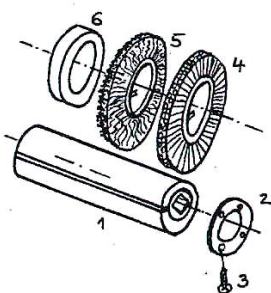
3.8.5 HDL-WAS-KM 27070 - C06130 R00

No.	Art.-No.	No.	designation
1	C05803	2	base plate
2	C05804	2	clamp retaining plate
3	908 911 412	4	pipe clamp
4	C06129	1	stainless steel pipe complete
5	961 060 011	10	high-pressure nozzle
6	901 806 050	8	Cylinder head screw with hexagon socket
7	905,106,000	8	U-disk
8	900 006 002	8	lock nut
9	901 910 025	4	carriage bolt
10	900 010 002	4	lock nut
11	905,110,000	4	U-disk

3.8.6 HDL-WAS-KM 30070 - C06302 R00

No.	Art.-No.	No.	designation
1	C05803	2	base plate
2	C05804	2	clamp retaining plate
3	908 911 412	4	pipe clamp
4	C06303	1	stainless steel pipe complete
5	961 060 011	11	high-pressure nozzle
6	901 806 050	8	Cylinder head screw with hexagon socket
7	905,106,000	8	U-disk
8	900 006 002	8	lock nut
9	901 910 025	4	carriage bolt
10	900 010 002	4	lock nut
11	905,110,000	4	U-disk

5 sweeping rollers 70 cm roller diameter

	250 cm working width	270 cm working width	300 cm working width	
Dirt sweeper with Poly-Voll -stocking 				
dirt sweeper poly- corrugated wire -stocking 				
Combi sweeper roller with 5- row poly-twist stocking 	250 710 068	270 710 068	300 710 068	
disc brooms/sweeping rings Poly-Voll -stocking and poly-corrugated wire -stocking 	1	on request	1	Carrying frame (2-part) 45 square
	2	166 000 031	4	mounting disc
	3	903 804 040	16	Spack screw/countersunk head
	4	998 600 128		Disc broom poly-full-fill inside 128 mm I, (one disc)
	5	999 600 128		Disc broom corrugated wire inside 128 mm I, (one disc)
	6	upon request		spacer 25 mm inside 128 mm I, (one disc)

Kersten

SITE MAINTENANCE EQUIPMENT

Distributed in UK by **Kersten**
(UK) Ltd Tel. 0118 986 9253

Progress House
39 Boulton Road Reading, RG2 0NH
www.kerstenuk.com - info@kerstenuk.com